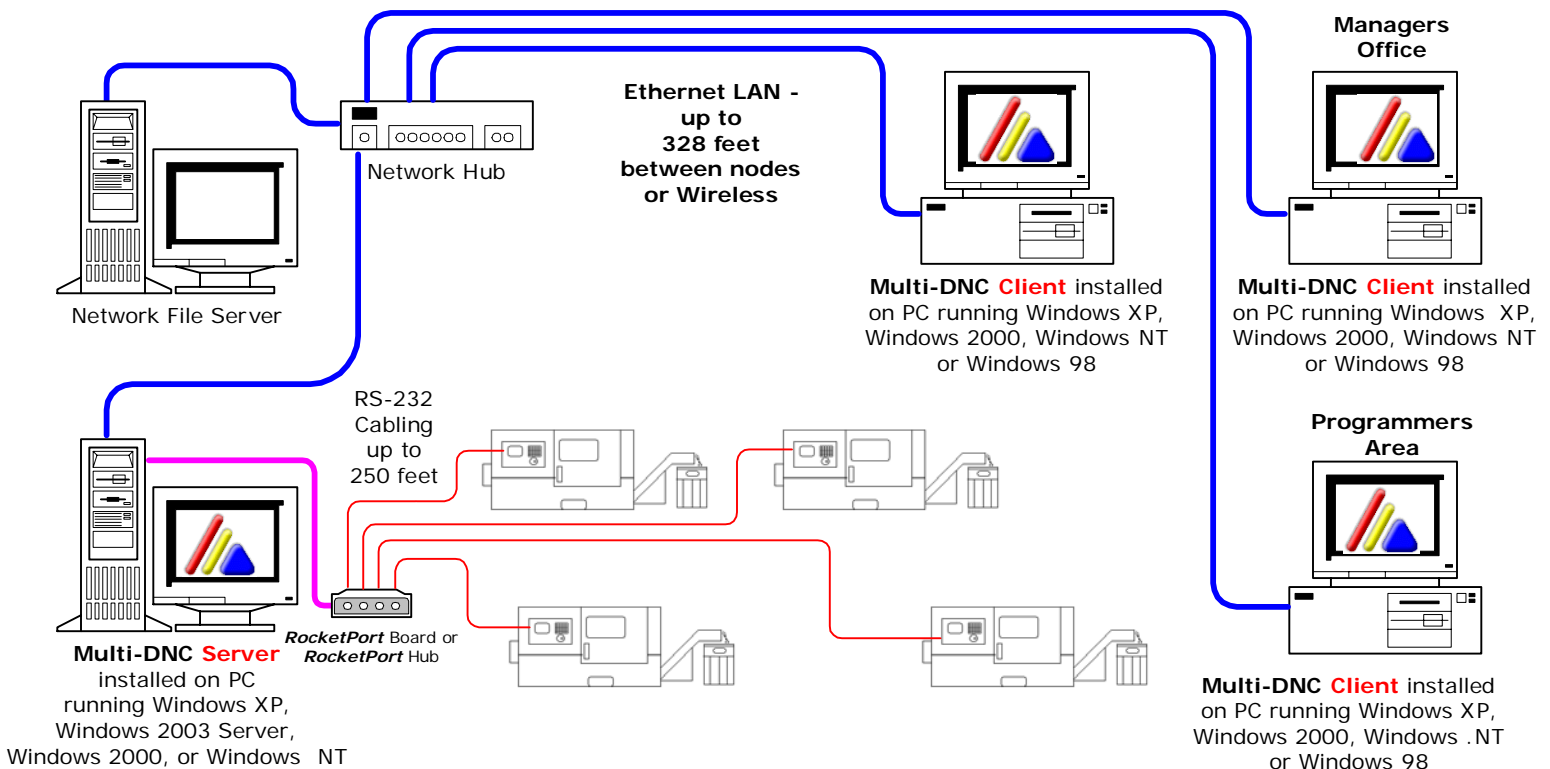


What is a Multi-DNC Server ?

A **Multi-DNC Server** is a **Multi-DNC** system with a Server License that is connected to CNC Machine tools by multi-port RS-232 hardware and is also connected to an Ethernet LAN by TCP/IP protocol. Multiple **Multi-DNC** Servers can co-exist on a LAN, and multiple **Multi-DNC** Clients can access them. **Multi-DNC** Servers can run under Windows XP, Windows Server 2003, Windows 2000, or Windows NT.

What is a Multi-DNC Client ?

A **Multi-DNC Client** is basically the front end interface of **Multi-DNC** connected over a LAN to a **Multi-DNC** Server, but without any direct connections to the CNC controls. **Multi-DNC** Clients can access **Multi-DNC** Servers for Sending, Receiving, initializing or stopping the Remote mode, and can also edit the Machine Connections at the Server computer. A **Multi-DNC** Client can only access one **Multi-DNC** Server at a time, but can log into multiple servers across the LAN.



Why use Multi-DNC Client-Server ?

Client-Server allows any connected Client to do 99% of the functions possible from the Server interface itself. Management personnel can just "watch" what is happening at the Server(s) from their connected computers, or actively "make it happen". The Server computer can be put into a more secure area on the manufacturing shop floor, and be administered remotely across the network. **Multi-DNC** Clients can be installed on PC based CAD/CAM workstations so that the CNC programmers can actively initiate sending programs to CNC controls from their programming area.